

## 6 Channel DMX Sliding Fader Console

Model No.: AJ6

6 Sliding Faders / Real DMX Value LED Screen



### Features

- Ideal Cost Efficient 6 Channel Mini DMX Fader Console
- Easy Usage
- Suitable for permanent installations by using available brackets
- Ideal for Sample Testing and Trouble-Shooting on-site or workshops
- Powered by 3 x AAA Batteries or external 5-12V Power-Supply
- 3 Digit LED Screen 0 –100% or DMX000 –DMX255 (Settings by internal DIP-Switch)
- 6 Channel Mode or 5 Channel & Master Mode (Settings by internal DIP-Switch)

FC CE RoHS EMC LVD

### Technical Parameters

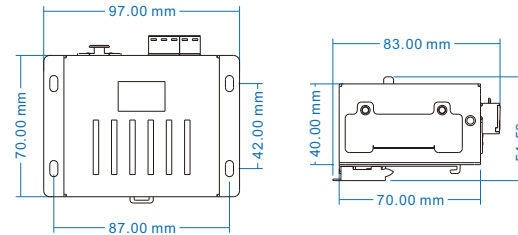
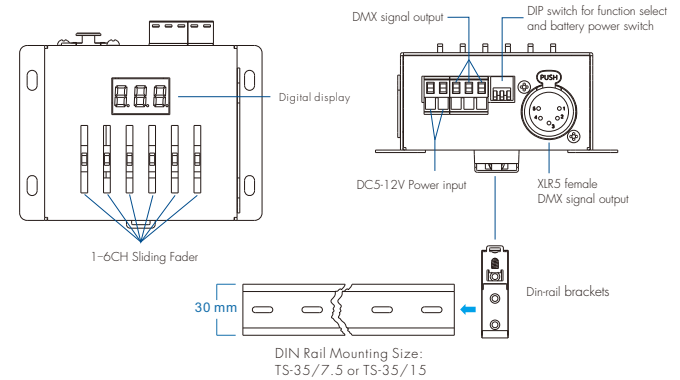
Input and Output	
Input voltage	5-12VDC or 3 x AAA
Work current	< 10mA
Output signal	DMX512
Channels	6

Environment	
Operation temperature	Ta: -30°C ~ +55°C
Case temperature (Max.)	Tc: +65°C
IP rating	IP20

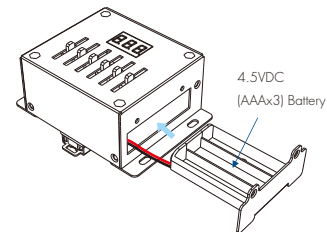
Safety and EMC	
EMC standard (EMC)	EN55032:2015, EN61000-3-2:2014, EN61000-3-2:2013, EN55024 :2010/A1:2015
Safety standard(LVD)	EN 61347-1:2015 EN 61347-2:11:2015
Certification	CE,EMC,LVD

Warranty and Protection	
Warranty	5 years
Protection	Reverse DC Polarity

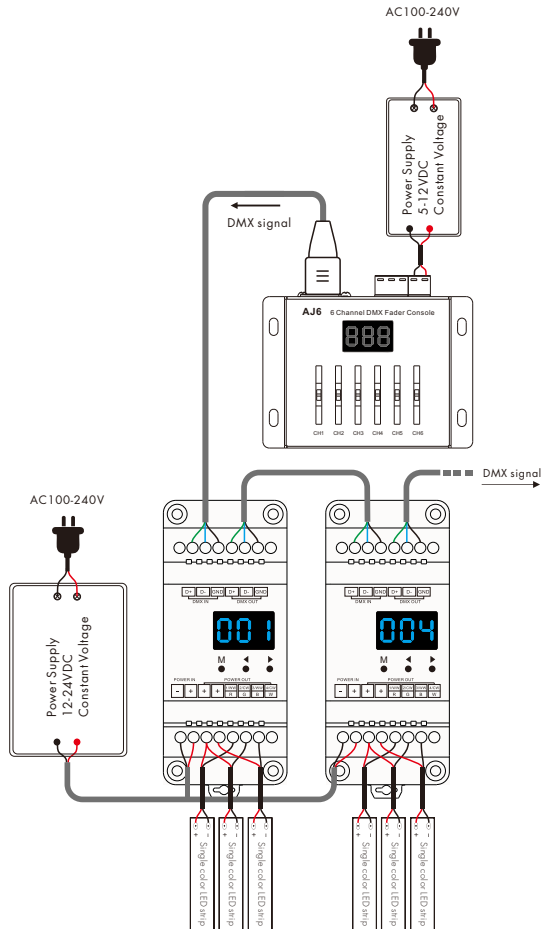
### Mechanical Structures and Installations



### Battery Installation



## Wiring Diagram



### Note:

1. The two DMX decoder first address need be set as 1 and 4, each decode 3 channel DMX data.
2. The 1-2bit DIP switch is used to set 0-255 or 0-100 display, 6 channel or 5+1 channel output. The 3th DIP switch is used to switch battery power input. The factory setting is 0-255 display and 6 channel output.
3. DIP switch setting:



0-255 display  
6 channel output

0-255 display  
5+1 channel output

0-100 display  
6 channel output

0-100 display  
5+1 channel output

For 5+1 channel output, the DMX dimmer only output 5 channel DMX data, the sixth pushrod is used to adjust the overall brightness of 1-5 channel.