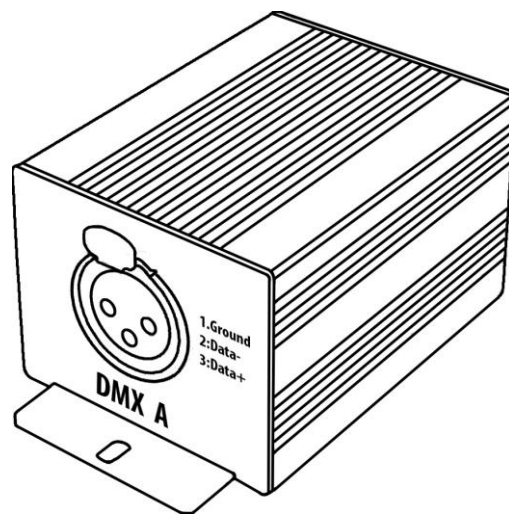


# INTERFACES USB-DMX

## 128 CHANNELS

V.1.1.0.6



---

## SUMMARY

<b>512 Channel USB to DMX interfaces</b> .....	<b>3</b>
Hardware technical specifications.....	3
<b>Dimensions of the interface</b> .....	<b>4</b>
Front face.....	4
Rear face .....	4
Bottom face .....	5
<b>Multiple USB devices connections</b> .....	<b>6</b>
<b>Standard DMX 128 installation</b> .....	<b>7</b>
<b>Recommended DMX 128 installation</b> .....	<b>7</b>

## 512 CHANNEL USB TO DMX INTERFACES

### HARDWARE TECHNICAL SPECIFICATIONS

<b>Input</b>	USB 2.0 via Mini USB
<b>Number of DMX Outputs</b>	up to 128 on 3 pin XLR (XLR5 optional)
<b>DMX Speed</b>	1 to 45 Hz, MaB, Bk
<b>Stand Alone Mode</b>	Yes, 128 channels, fine DMX channels ( 16 bits)
<b>Internal Memory</b>	Yes (40 Kb)
<b>Memory Capacity</b>	2600 steps with 16 ch., 650 steps with 64 ch., 325 steps with 128 ch.
<b>Infra-red Receiver</b>	Yes, (IR remote control for triggers available in option)
<b>Infra-red Options</b>	10 scene selection, scene speed, general dimmer and next scene
<b>Dry Contact Triggers</b>	Yes (4 contacts port)
<b>Next Scene Trigger Button</b>	Yes
<b>Power Supply Input</b>	5V via USB
<b>High voltage Protection</b>	Yes
<b>Housing</b>	Strong Aluminum
<b>Infre-Red remote</b>	No
<b>Usb Mode</b>	Yes
<b>Display of signal states</b>	USB LED
<b>Power</b>	2 W
<b>CPU's technology</b>	32 bits
<b>Dimensions</b>	H : 40mm(1.57in) / W : 50mm(1.97in) / D : 78mm (3.07in)
<b>Weight</b>	0.115Kgs
<b>Color</b>	Black
<b>IP rating</b>	IP20
<b>Place of Use</b>	Indoor
<b>Storage</b>	Keep in dry place
<b>Compatibility</b>	8 and 16 bits DMX fixtures
<b>Operating Temperature</b>	- 25 to +70 C°
<b>Certifications</b>	CE, RoHS, Fcc
<b>International Warranty</b>	Yes, 1 year

### **Software features:**

<b>LED Player</b>	128 channels, stand alone, No Audio Beat, 20 Scenes and 20 Programs in Live Board
<b>Studio DMX 3D viewer</b>	Demo mode, 20 object / 20 fixtures max., 192 channels max.
<b>Pro DMX</b>	No
<b>Art-Net Output from PC</b>	No
<b>Wi-Light 2016 App</b>	Yes, can control the LED Player Live Board with a WIFI connection
<b>System Compatibility</b>	Windows, MAC Os X (10.6 and higher) and Linux (64 Bits)
<b>Free Software Updates</b>	Yes

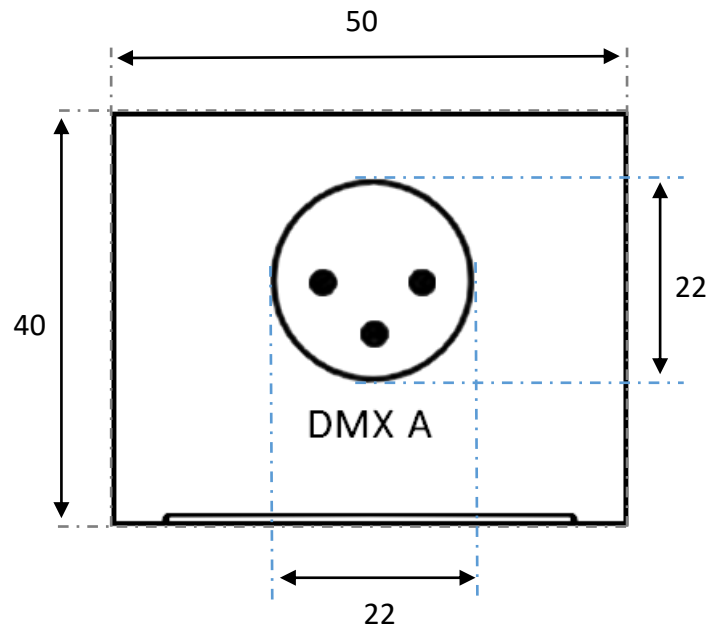
### **Package Content:**

Small package + 1 USB cable + 1 USB to DMX Interface (3 Pin XLR, 5 pins in option)

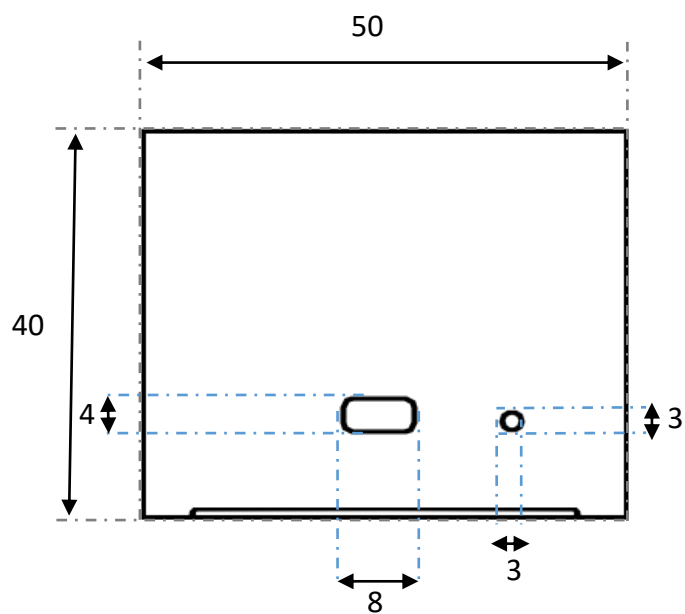
## DIMENSIONS OF THE INTERFACE

The metric system is used. The unit is mm.

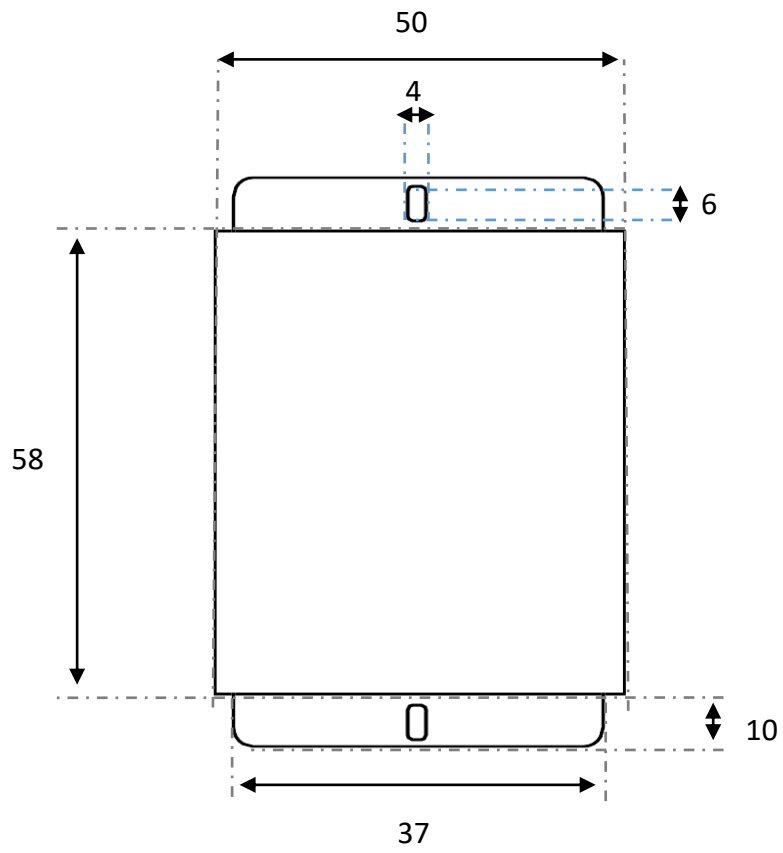
### FRONT FACE



### REAR FACE

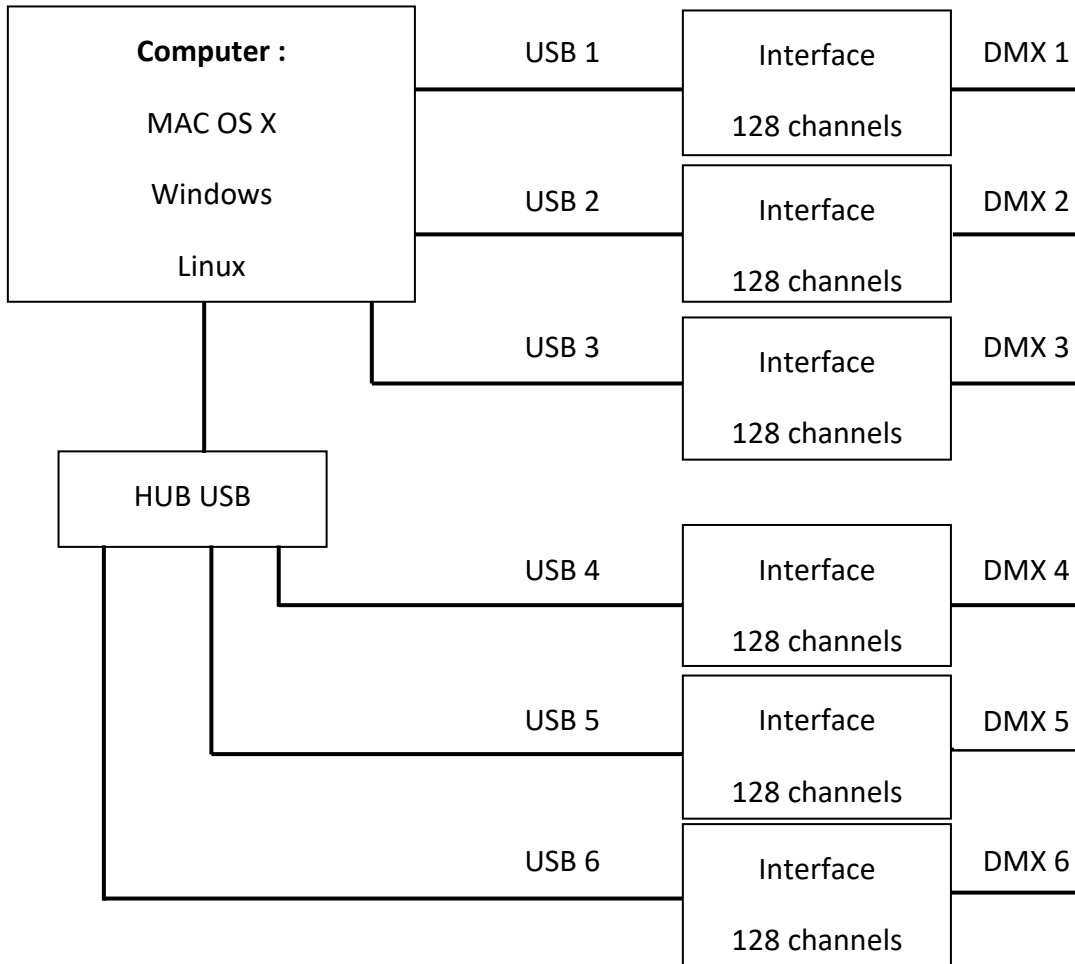


BOTTOM FACE

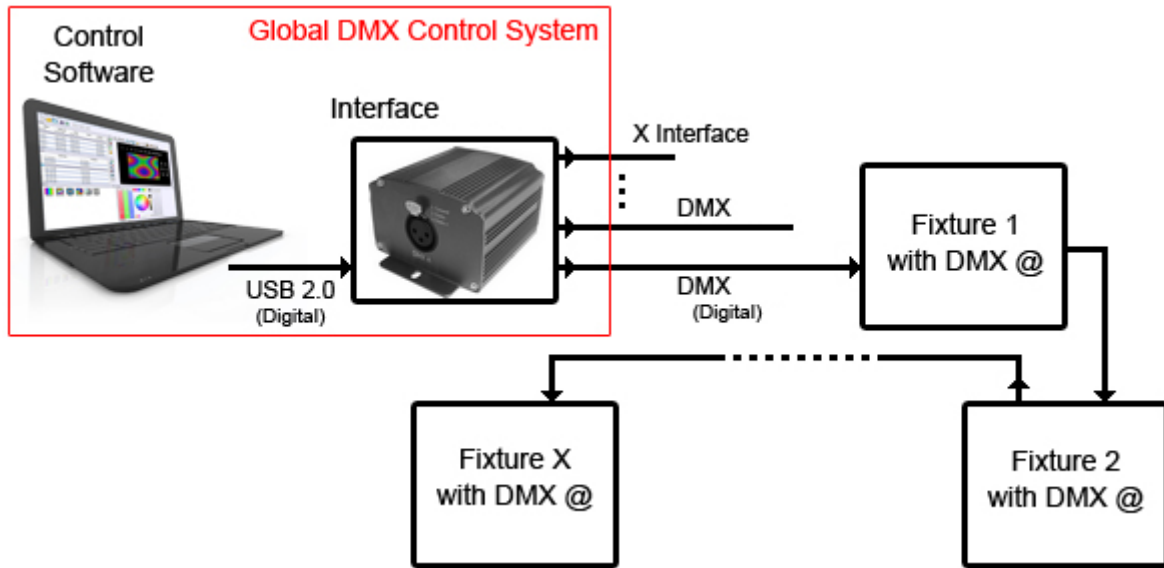


# MULTIPLE USB DEVICES CONNECTIONS

Example of Multiple interface connections



## STANDARD DMX 128 INSTALLATION



## RECOMMENDED DMX 128 INSTALLATION

