

Dual Color LED Strip Controller Kit

Model No.: V2-L + R7-1

2 channels constant voltage/Touch color wheel/Stepless dimming/Wireless remote 30m distance



FC CE RoHS [EMC] LVD RED

Features

- Remote control or connected with external push switch to achieve on/off and dimming function
- Ultra sensitive color adjustment touch wheel
- Smooth dimming and switch without any flickering
- Auto-transmitting function: Controller automatically transmit signal to another controller with 30m control distance
- Synchronize on multiple number of controllers

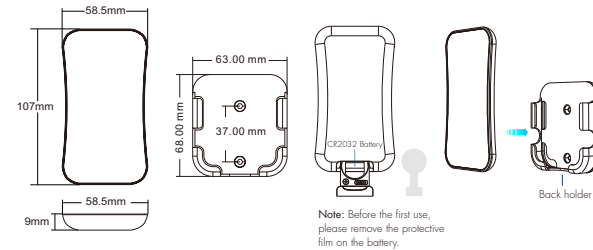
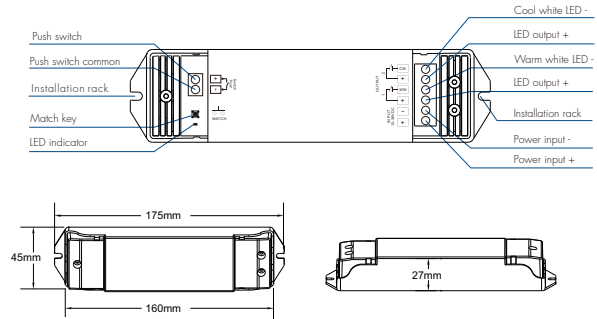
Technical Parameters

LED Receiver's Input and Output		LED Remote's Input and Output	
Input voltage	12-36VDC	Output signal	RF[2.4GHz]
Input current	16.5A	Working voltage	3VDC[CR2032]
Output voltage	2x(12-36)VDC	Working current	< 5mA
Output current	2CH, 8A/CH	Standby current	< 10μA
Output power	2x(96-288)W	Standby time	1 year
Output type	Constant voltage	Remote distance	30m

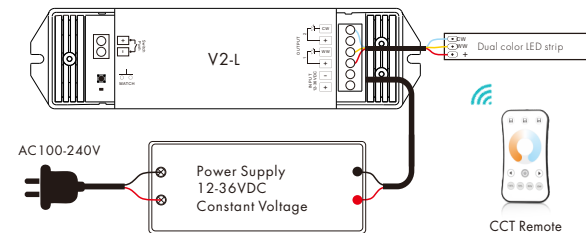
Dimming data		Safety and EMC	
Dimming level	4096 levels	EMC standard (EMC)	EN301 489, EN 62479
Dimming range	0 - 100%	Safety standard(LVD)	EN60950
Dimming curve	Linear	Radio Equipment(RED)	EN300 328
PWM Frequency	500Hz	Certification	CE, EMC, LVD, RED

Warranty and Protection		Environment	
Warranty	5 years	Operation temperature	Ta: -30°C ~ +55°C
Protection	Reverse Polarity	Case temperature (Max.)	Tc: +85°C
		IP rating	IP20

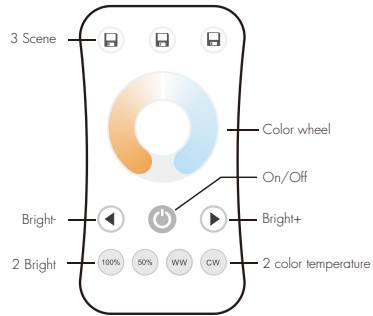
Mechanical Structures and Installations



Wiring Diagram



Remote function



On/Off: Turn on/off light.

Color wheel: Touch to change color temperature.

Bright+/-: Adjust brightness, short press 10 levels, long press 1-6s for continuous 256 levels adjustment.

100%,50%: Get 100% or 50% brightness directly.

WW: Get warm white directly.

CW: Get cold white directly.

3 Scene: Short press recall the scene, long press 2s save the current color into the scene.

* When light is on, touch the color wheel, the indicator will display red.

* To extend battery life, no touch or press key operation after a few seconds, the touch wheel will enter sleep state, you need press any key to make touch wheel quit sleep state.

Match Remote Control (two match ways)

End user can choose the suitable match/delete ways. Two options are offered for selection:

Use the controller's Match key

Match:

Short press match key, immediately press on/off key of the remote.

Delete:

Press and hold match key for 5s to delete all match, The light blinks 5 times means all matched remotes were deleted.

Use Power Restart

Match:

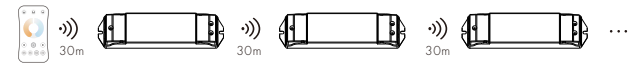
Switch off the power, then switch on power again, immediately short press on/off key 3 times on the remote. The light blinks 3 times means match is successful.

Delete:

Switch off the power, then switch on power again, immediately short press on/off key 5 times on the remote. The light blinks 5 times means all matched remotes were deleted.

Application notes

All the receivers are matched with one RF remote.



RF remote

Auto-transmitting: One receiver can transmit the signals from the remote to another receiver within 30m, as long as there is a receiver within 30m, the remote control distance can be limitless.

Auto-synchronization: Multiple receivers within 30m distance can work synchronously when they are controlled by the same remote.

Receiver placement may offer up to 30m communication distance. However, we recommend for indoor applications that receiver placements should be no further apart than 15m.

Dual color control

CH1=Warm white LED

CH2=Cool white LED

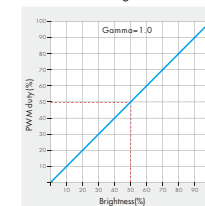
Each channel can supply up to 192W(@24V) and white balance can be controlled as such:

Color temperature	Cool white	Neutral white	Warm white
Power distribution	CH1=0W,CH2=192W	CH1=96W,CH2=96W	CH1=192W,CH2=0W

Linear dual color tuning



Dimming curve



Malfunctions analysis & troubleshooting

Malfunctions	Causes	Troubleshooting
No light	<ol style="list-style-type: none"> 1. No power. 2. Wrong connection or insecure. 	<ol style="list-style-type: none"> 1. Check the power. 2. Check the connection.
Uneven intensity between front and rear, with voltage drop	<ol style="list-style-type: none"> 1. Output cable is too long. 2. Wire diameter is too small. 3. Overload beyond power supply capability. 4. Overload beyond controller capability. 	<ol style="list-style-type: none"> 1. Reduce cable or loop supply. 2. Change wider wire. 3. Replace higher power supply. 4. Add power repeater.
No response from the remote	<ol style="list-style-type: none"> 1. The battery has no power. 2. Beyond controllable distance. 3. The controller did not match the remote. 	<ol style="list-style-type: none"> 1. Replace battery. 2. Reduce remote distance. 3. Re-match the remote.